

PLAN NOTES:

- 1 SEE STRUCTURAL DRAWINGS FOR LINTELS & ALL OPENINGS IN MASSIVE WALLS.

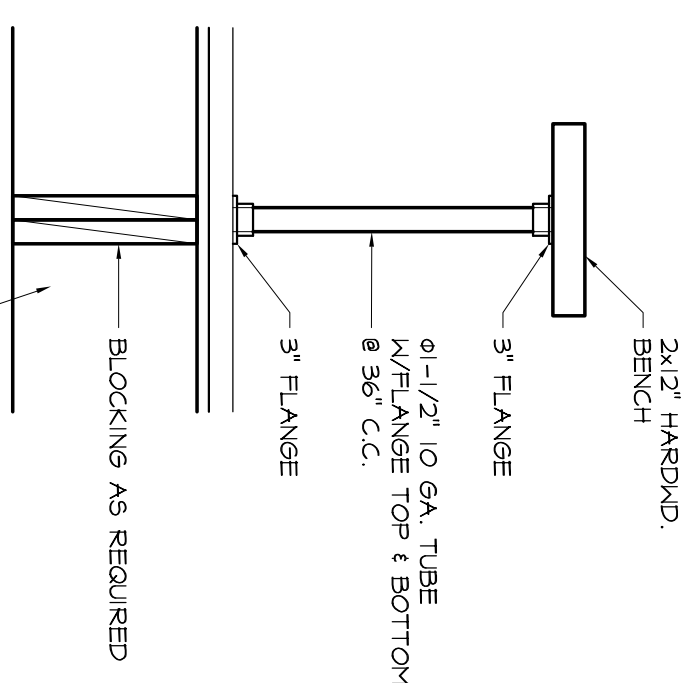
SPECIFIC FLOOR PLAN NOTES:

- 1 ATTIC ACCESS WITH LADDER AFFIXED TO WALL
- 2 SHELF UNIT ABOVE BUNKS - BLKG. IN WALL FOR ANCHORING (TYPICAL EACH BUNK RM) - FINISH TO BE STAINED
- 3 HOP BASIN BY PLUMBING CONTRACTOR
- 4 LOOSE EQUIPMENT BY OWNER
- 5 LOCKER ROOM BENCHES BY BID PKG. #5 (SEE 2-A103)
- 6 TWO LAYERS OF 5/8" DRYWALL FULL HGT. TO UNDERSIDE OF ROOF
- 7 24"x24"x72" METAL LOCKERS - SEE SPECIFICATIONS
- 8 WALL TO BE PARDED OUT 1-5/8"
- 9 OPEN RISER METAL STAIR

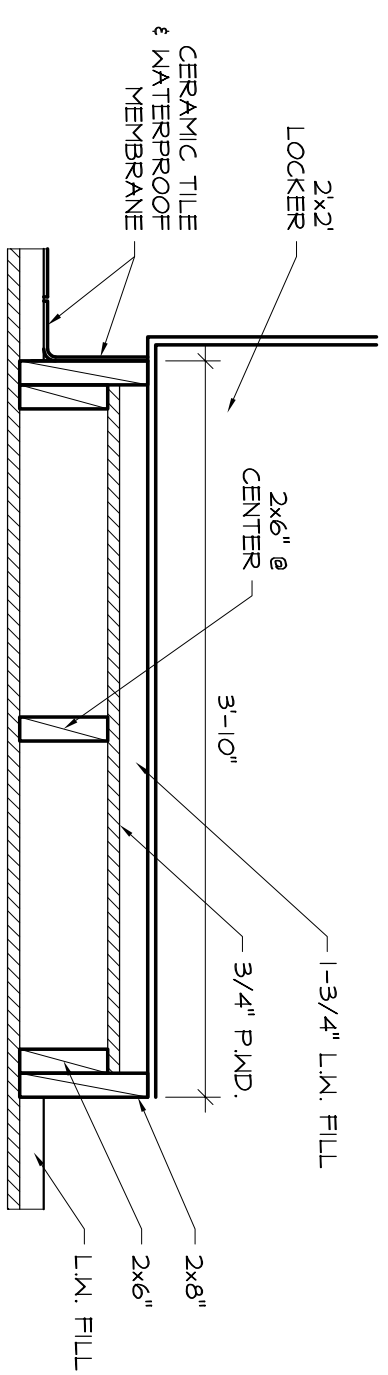
FIRST FLOOR DOOR SCHEDULE

DOOR NUMBER	DOOR TYPE	DOOR			GLASS	FRAME			LABEL	HOUR GROUP	REMARKS				
		QTY.	THICK.	WIDTH		HEIGHT	MATL.	MATL.				JAMB	HEAD	SILL	
200	2	1	1-3/4"	3'-0"	7'-0"	STL.	5x20"	F-1	STL.	2"	4"	6	B		
201	1	1	1-3/4"	2'-6"	7'-0"	HD.		F-2	STL.	2"	2"	12	B		STAIR S-1
202	1	1	1-3/4"	2'-6"	7'-0"	HD.		F-2	STL.	2"	2"	12	B		
203	1	1	1-3/4"	2'-6"	7'-0"	HD.		F-2	STL.	2"	2"	12	B		
204	1	1	1-3/4"	2'-6"	7'-0"	HD.		F-2	STL.	2"	2"	12	B		
205	1	1	1-3/4"	2'-6"	7'-0"	HD.		F-2	STL.	2"	2"	12	B		
206	1	1	1-3/4"	2'-6"	7'-0"	HD.		F-2	STL.	2"	2"	12	B		
207	1	1	1-3/4"	2'-6"	7'-0"	HD.		F-2	STL.	2"	2"	12	B		
208	1	1	1-3/4"	2'-6"	7'-0"	HD.		F-2	STL.	2"	2"	12	B		
209	1	1	1-3/4"	2'-6"	7'-0"	HD.		F-2	STL.	2"	2"	12	B		
210	1	1	1-3/4"	2'-6"	7'-0"	HD.		F-2	STL.	2"	2"	12	B		
211	1	1	1-3/4"	2'-6"	7'-0"	HD.		F-2	STL.	2"	2"	12	B		
212	1	1	1-3/4"	2'-6"	7'-0"	HD.		F-2	STL.	2"	2"	12	B		
213	1	1	1-3/4"	2'-6"	7'-0"	HD.		F-2	STL.	2"	2"	12	B		
214	1	1	1-3/4"	2'-6"	7'-0"	HD.		F-2	STL.	2"	2"	12	B		
215A	1	1	1-3/4"	3'-0"	7'-0"	HD.		F-2	STL.	2"	2"	7	B		
215B	1	1	1-3/4"	3'-0"	7'-0"	HD.		F-2	STL.	2"	2"	7	B		
216A	1	1	1-3/4"	3'-0"	7'-0"	STL.		F-1	STL.	2"	2"	4	C	7	
216B	1	1	1-3/4"	3'-0"	7'-0"	STL.		F-2	STL.	2"	2"	2	C	7	
217	1	1	1-3/4"	3'-0"	7'-0"	HD.		F-2	STL.	2"	2"	4	B	6	
218	1	1	1-3/4"	3'-0"	7'-0"	STL.		F-1	STL.	2"	2"	2	B	6	
219	1	1	1-3/4"	3'-0"	7'-0"	STL.		F-2	STL.	2"	2"	2	B	6	
220	1	1	1-3/4"	3'-0"	7'-0"	STL.		F-1	STL.	2"	2"	4	C	8	
221	1	1	1-3/4"	3'-0"	7'-0"	STL.		F-2	STL.	2"	2"	2	B	8	
222A	2	1	1-3/4"	3'-0"	7'-0"	STL.	5x20"	F-1	STL.	2"	2"	4	C	6	
222B	2	1	1-3/4"	3'-0"	7'-0"	STL.	5x20"	F-1	STL.	2"	2"	4	C	6	
223	2	1	1-3/4"	3'-0"	7'-0"	STL.	5x20"	F-1	STL.	2"	2"	4	C	6	
224	1	1	1-3/4"	2'-6"	7'-0"	STL.		F-2	STL.	2"	2"	2	B	12	STAIR S-2

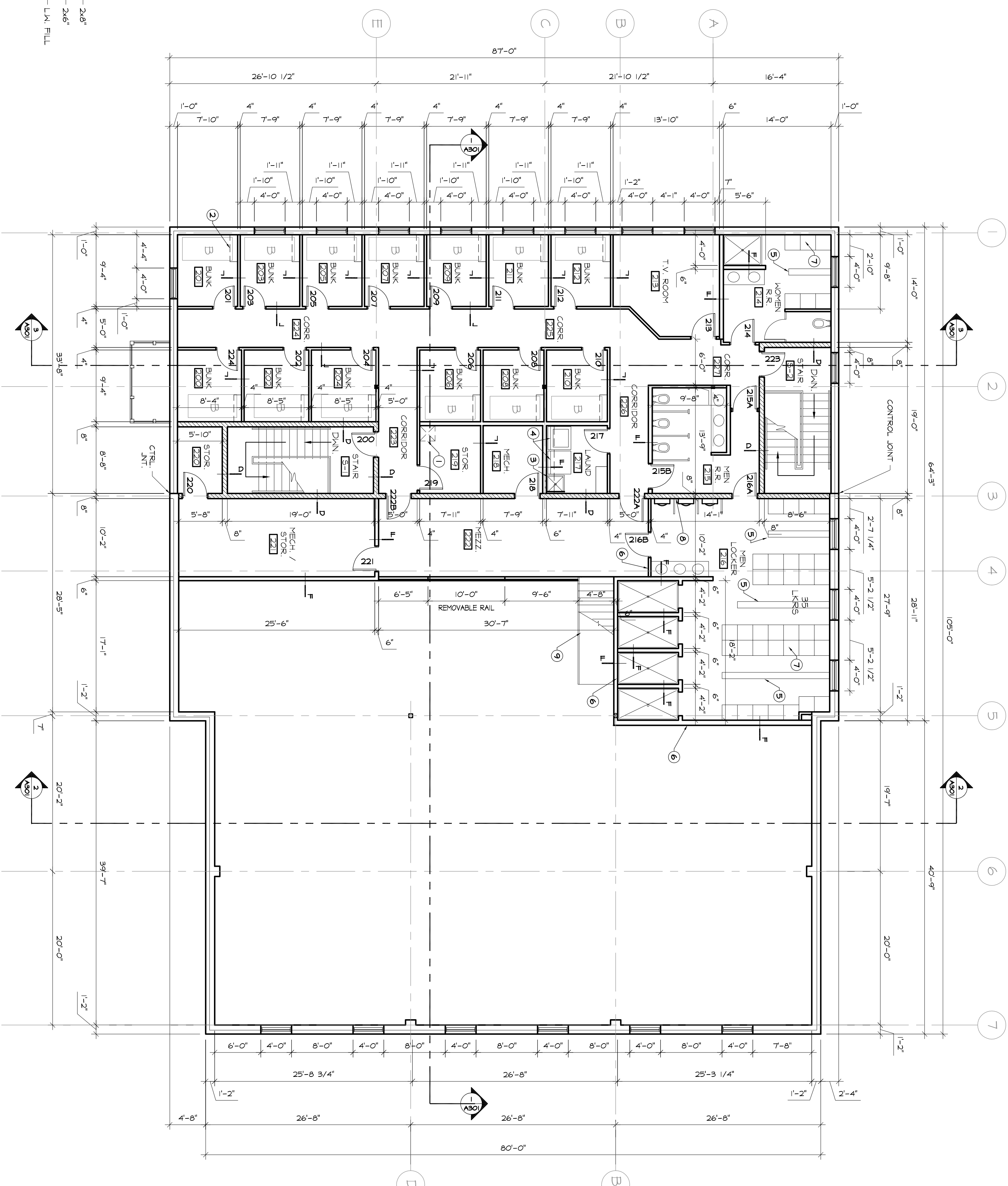
NOTE: LABEL B INDICATES 1-1/2 HOUR RATED DOOR & LABEL C INDICATES 3/4 HOUR RATED DOOR



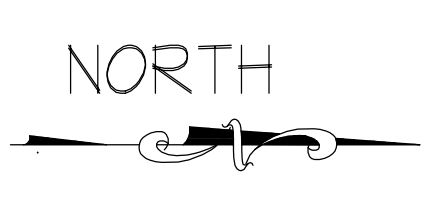
2 LOCKER RM. BENCH DET.  
SCALE: 1" = 1'-0"



3 LOCKER BASE DETAIL  
SCALE: 1" = 1'-0"



1 SECOND FLOOR PLAN  
SCALE: 1/8" = 1'-0"



Senefeld and Associates,  
Architects, Inc.  
802 Mulberry St., 11-1  
Noblesville, Indiana 46060  
P. (317) 774-1400  
F. (317) 774-8518

DUPLICATE  
NO. 2497  
STATE OF  
INDIANA  
ARCHITECTS  
JANUARY 1, 2005

All furnished drawings, specifications, and copies are property of the Architect. They are to be used only with respect to this project and are not to be used for any other project without the written consent of the Architect. The Architect's liability is limited to the contract documents. The Architect is not responsible for the construction of the project. The Architect is not responsible for the safety of the project. The Architect is not responsible for the accuracy of the information provided. The Architect is not responsible for the interpretation of the Architect's common law copyright or reserved rights.

WHITE RIVER  
TOWNSHIP  
FIRE DEPARTMENT  
FIRE STATION NO. 51

CONSTRUCTION DOCUMENT  
SECOND FLOOR PLAN

Job Number: 2414  
Drawn By: JEH  
Date: December 16, 2005  
Checked By: DIS

SHEET NUMBER  
A103